


The **U**  The **U**ltimate
Bottle's Shelf



by 

Overview

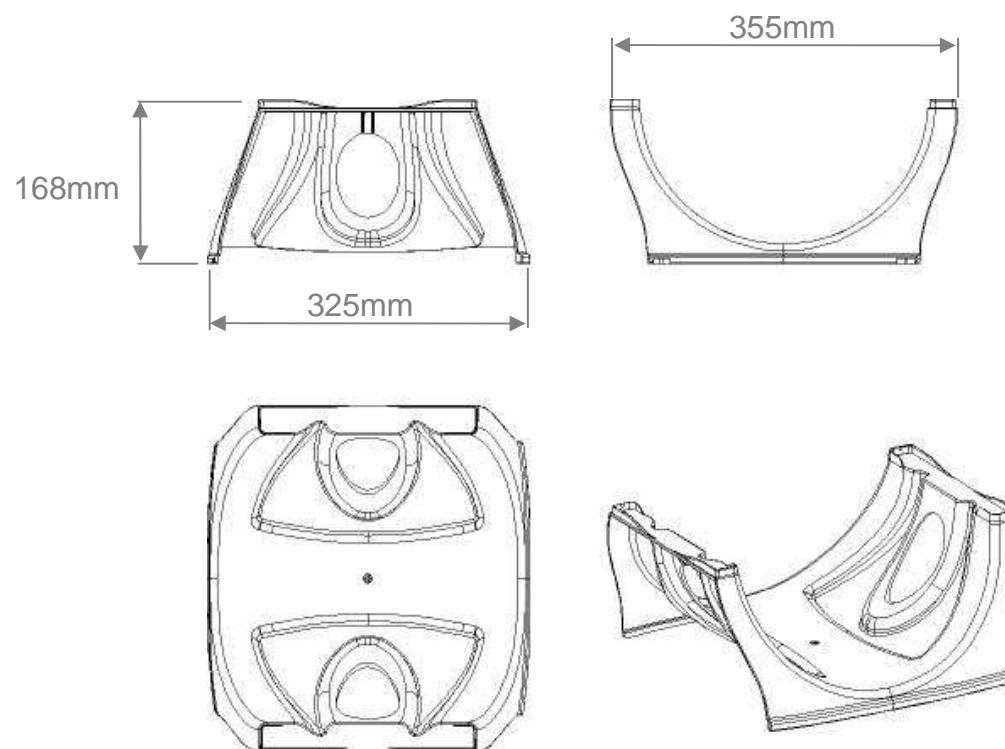
This new fresh water rack design offers in addition to various assembly combinations many other benefits for the marketing and storing of water bottles both for the home and office users.

- Competitive price
- Efficient storage & transportation
- Saves space
- Flexible capacity according to client's water consumption
- Easy to assemble, no tools required
- Renewable material
- Suits 5 & 3gallon bottles
- Protects bottles and stickers



Basic unit description

- General dim; - 355 x 325 x 168 mm
- Production - Plastic injection
- Material - PP and additives
- Color - SILVER/BLUE/CREAM
- Packed in boxes of 22 units ; 27 boxes per palette



Dimensions are indicative based on average values depending on raw materials

Design

The U water rack system can be adjusted to the design of various spaces such as home kitchen, corporate dining rooms or reception rooms by choosing the complimenting color and structure.

Reception room



Corporate dining room



Home kitchen

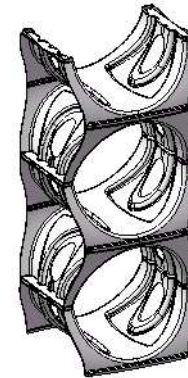
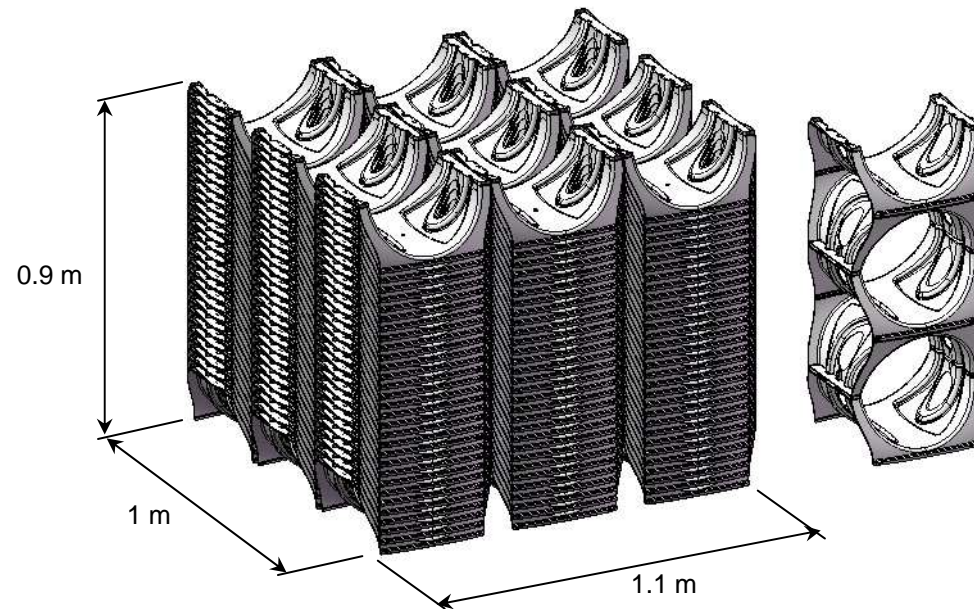


Economy transportation and storage

50 racks in 1 cubic meter !!!

Thanks to its design, the basic unit can be **stacked efficiently**. We can easily carry almost three times units quantity then the most efficiently stacked metal racks.

Together with its flexibility in creating different structures on site, **transportation volumes** can be reduced, both to the **logistic centers** and on the way to the end user.



Dimensions are indicative based on average values depending on raw materials

Advantages Summary

- **Competitive price.**
- **Efficient use** of “floor space”.
- **Efficient transportation** and storage volume – 50 racks in 1 cubic meter
- **Protects** the bottles and the stickers from scratching.
- **Large variety of positioning** possibilities constructed out of just 1 unit.
- Recommended for **3 bottles storage**
- **Flexible capacity** according to client’s water consumption.
- **Easy to assemble**, no tools required.
- An **“up to date” design**, which may encourage clients to position it in a central location rather in the backroom.
- **Renewable material.**
- Suits **5 & 3 gallon** bottles.

To contact us :



14, avenue Lavoisier – 64140 LONS – France

Tél : 00 33 559 92 43 43 – Fax : 00 33 559 40 18 55

Email : info@op-crate.com

Website : www.op-crate.com