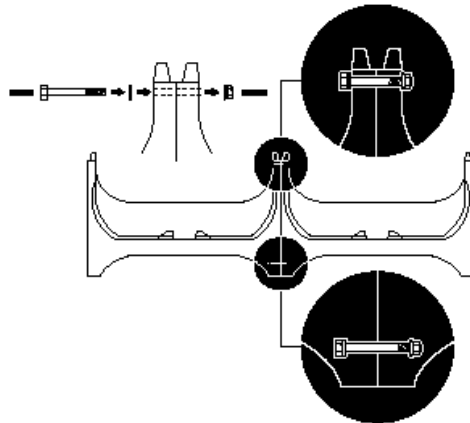




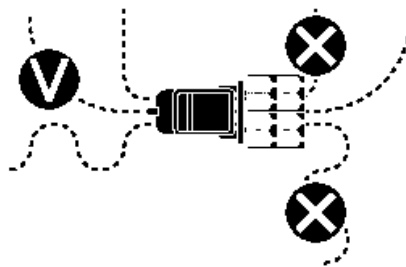
# USER GUIDE

## Fixing Nuts and Bolts



1. Fully tighten nuts and bolts
2. Check the tightness of the nuts and bolts at regular intervals

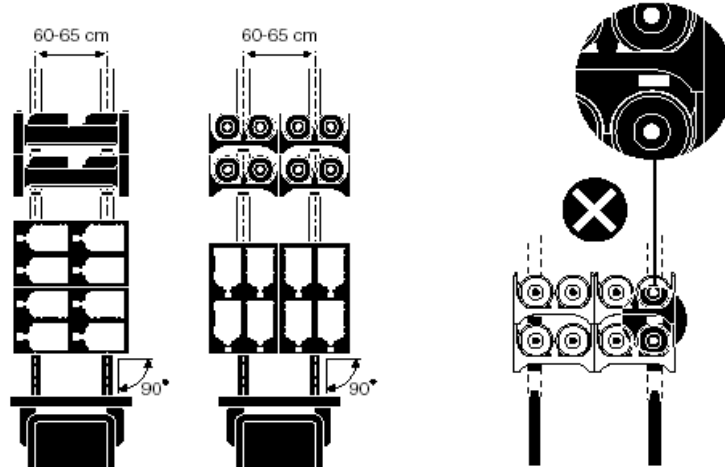
## Driving style



1. Drive slowly
2. Keep the OP® crates around 10 cm above the floor while driving
3. Do not brake suddenly or sharply
4. Turn corners gently
5. Do not make any abrupt movements
6. Do not lift or put down the OP® crates while driving



## Stacking OP® crates



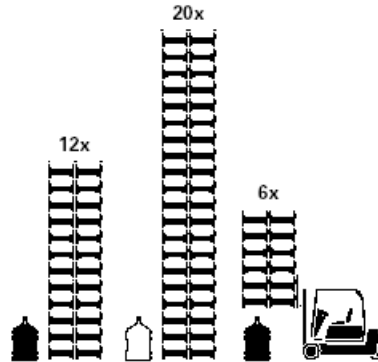
1. Place the OP® crates straight on the forks
2. Drive straight up to the stack of OP® crates
3. Lift OP® crates gently
4. Tilt the forks backwards
5. Drive up to the stack
6. Interlock the front legs
7. Engage the back legs by levelling the forks
8. Align the forks horizontally
9. Drive out

## Lifting OP® crates

1. Drive straight up to the stack of OP® crates
2. Tilt the forks slightly forward
3. Put the forks in between bottles
4. Tilt the forks backwards
5. Lift the OP® crates
6. Drive out



## Stacking Heights



1. Stack up to 12 high (96 bottles) with full bottles
2. Stack up to 20 high (160 bottles) with empty bottles
3. Stack up to 6 high (48 bottles) while driving with full bottles

### Recommendations

1. Use forks with a thickness of approximately 4 cm
2. If the OP® crates are only lifted from the front or rear, forks of 1 metre are optimal
3. Preferably use a forklift with side shift
4. These stacking heights are for internal storage. In case of wind, be careful with stacking empty crates outside your warehouse.

© OP SARL Pau (64 - France) – All rights reserved.

No part of this publication may be duplicated in whole or in part or reproduced without the express written permission of the publisher.

OP SARL cannot be held responsible on the base of this instruction and no rights can be derived from this instruction.

OP SARL – 48, boulevard Recteur Jean Sarrailh - 64000 PAU - France - [www.op-crate.com](http://www.op-crate.com)